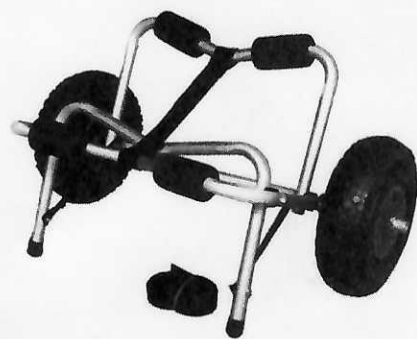


# Kayak Trolley

The Kayak Trolley rolls smooth and effortlessly fully loaded with a kayak or canoe plus all the gear you need for your paddle. Assembling your Kayak Trolley is a snap and no tools are required. Follow these instructions and roll your kayak or canoe out to the water using these handy 10" wheels.



PACKAGE INCLUDES:	Qty
Cart Frame	1
Strap Set	1
Wheels	2
Quick Release Pins	2

## CAUTION

DO NOT tow with a motorized vehicle.  
Hand towing only

## Assembly



1. Open cart and remove quick release pins from wheel axle.



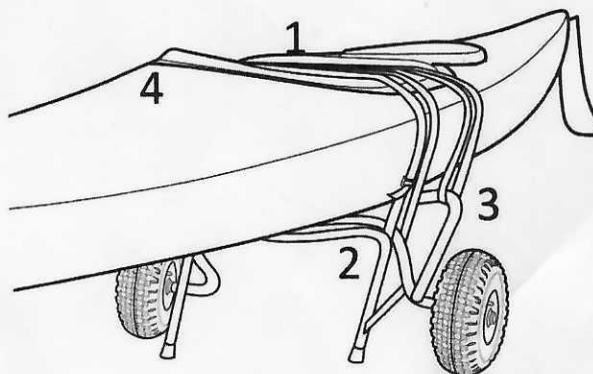
2. Attach the wheels one to each axle and secure them by replacing the quick release pins in the hole closest to the tire and turn the ring so it locks over the end of the axle.

## How to Use

1. Line your cart up with the center of your kayak or canoe. The kickstand should be facing the direction the cart will be pulled.
2. Adjust the cart so it is at a slight angle to your kayak or canoe
3. Lift the front end of the kayak or canoe above the cart.
4. Secure the strap around your kayak or canoe, making sure it is snug.

## Strapping Instructions

Start with the cam buckle at the end of the strap at the center of the kayak, lined up with the front of the cart (1). Thread the strap through the front bar (2) of the cart to the rear bar (3), then over the top of the kayak (4). On the other side, thread through the rear bar first, then the front bar. Finally, meet the buckle at the starting point (1) and thread the strap through the cam and pull tight.



## WARNING

DO NOT step, climb or hang on the cart  
DO NOT allow small children or pets play in, on, or around the cart. Improper installation and/or use the cart could cause serious injury and/or death.  
DO NOT exceed maximum weight capacity = 120 lbs.

Customer Service